



**LEILA**

TABLE LAMP

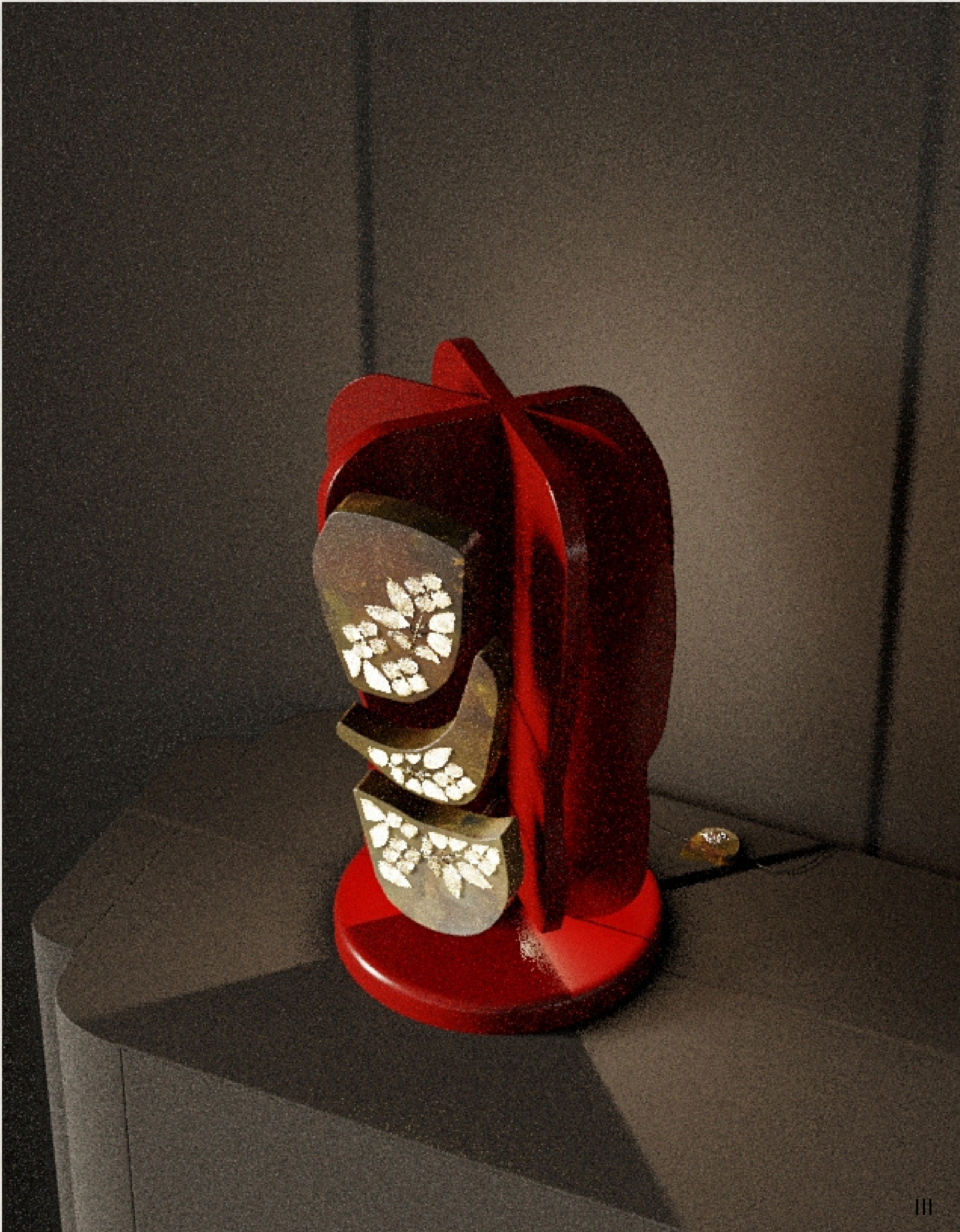


# Leila

HERE IS OUR NEWEST DESIGN LEILA TABLE LAMP.

In nature, sometimes the most delicate flowers grow between the harshest rocks. In this design, the strength of the rocks and the fragility of the Leyla flower come together. The rusty metal symbolizes the hardness of the rock, while the crystal glass represents the flower's delicate structure. These two different elements complement each other, creating a natural balance. The design is a reflection of this strong yet fragile balance found in nature.

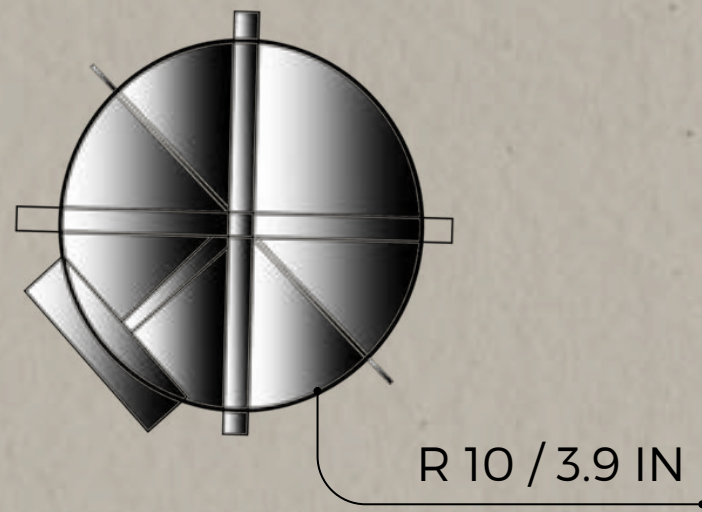






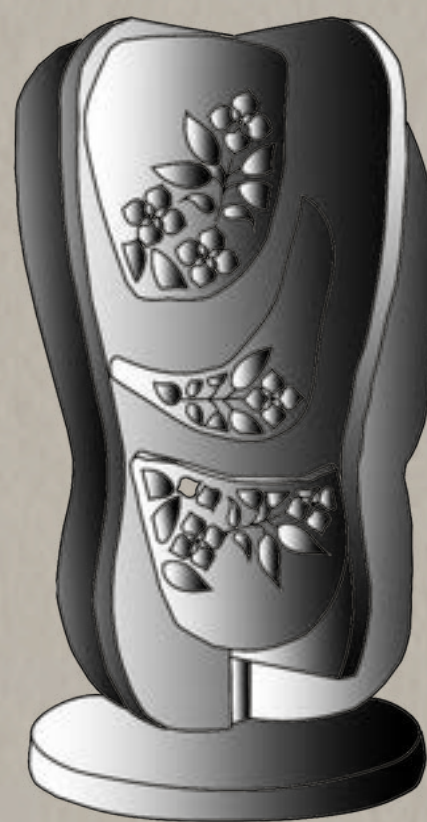
LEILA TABLE LAMP

---



20 CM / 8 IN

35 CM / 13.78 IN



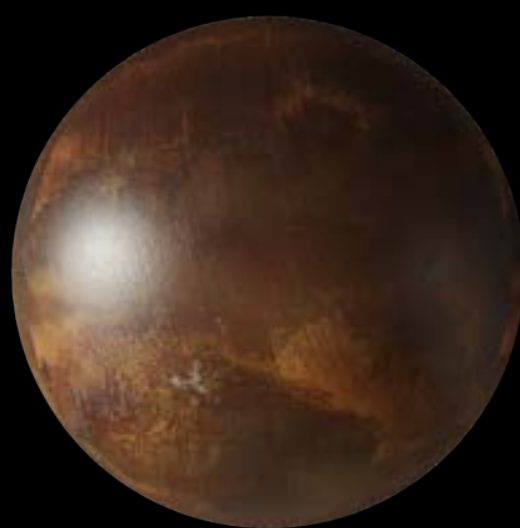
## Leila Table Lamp Texture Board



Aluminum



Leaf Glass

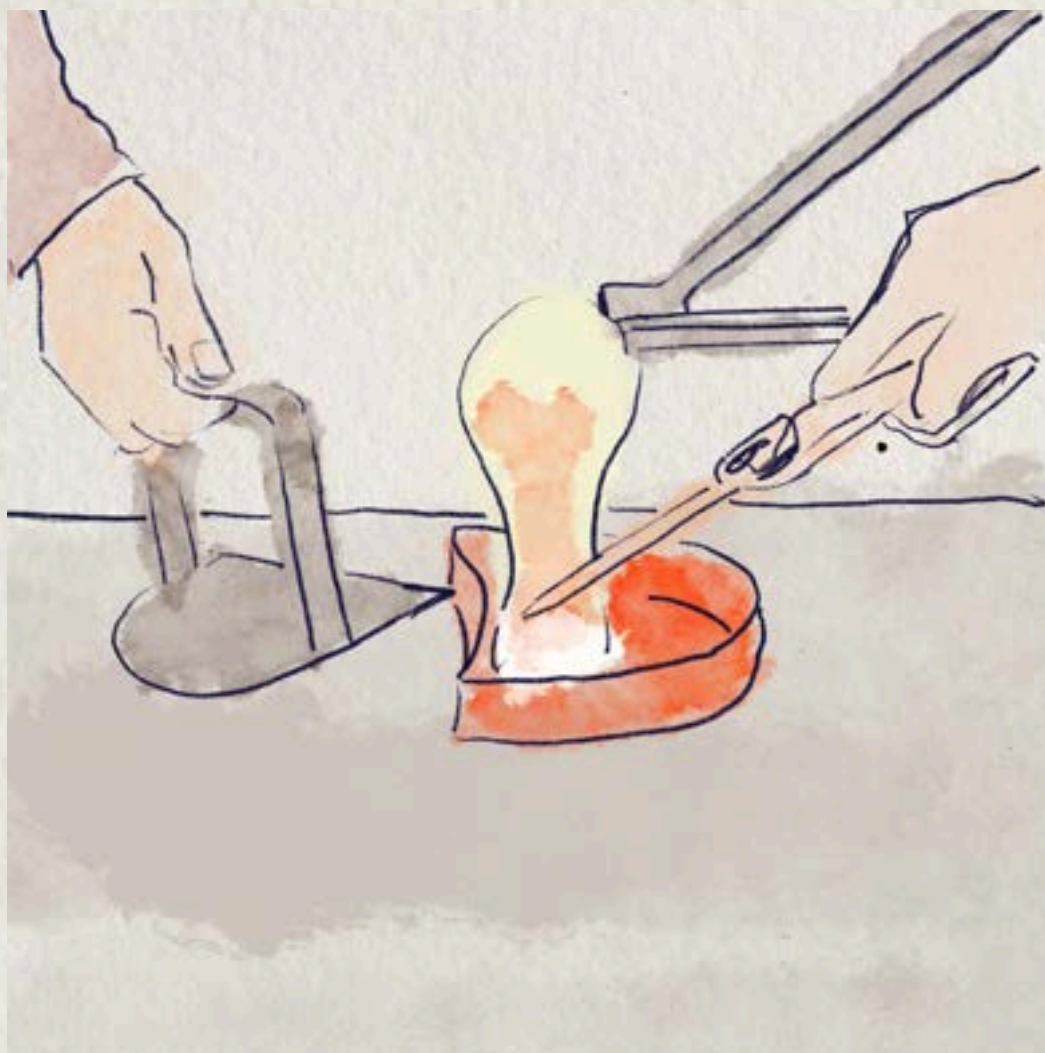


Sand Rusty Metal

\*\*Our products made from sand rusty metal are crafted with metal as the base material. Due to the natural rusting process, each product may exhibit color and texture variations. Each item has a unique and distinctive appearance, and these differences should be considered as a characteristic feature of the material. The color and texture seen in the visuals may not be exactly the same in every product. This adds natural aesthetics and uniqueness to each item.

## HOW TO PROCESS

Xyz Design, we brought the Leila Collection to life, drawing inspiration from the elegant and powerful forms of nature. This collection includes various pieces such as wall sconces, table lamps, and side tables, with each piece aiming to bring the aesthetic power of nature into interior spaces.



Carefully crafted by our experienced artisans in a workshop in Istanbul, the collection merges organic forms with an industrial touch by using metal materials. Thus, each piece offers a unique balance of both durability and aesthetics.

The Leila Collection is the result of our pursuit as an architectural office to combine nature with design and craftsmanship with technology. We aimed to create an aesthetic that is both contemporary and timeless.





The Leila table lamp adds warmth and elegance to your space during long working hours, while its portable size makes it the perfect companion for lively dinner parties, special gatherings, or even a cozy reading moment. This design combines both style and functionality, making it suitable for any environment. Leila transforms the atmosphere in every setting with its light and form, creating a delicate touch in both your home and office.





ARCHITECTURAL DIGEST

at 100

at 100  
A CENTURY OF STYLE

A  
ABRAMS